

Masport®

EUROPEAN ROTARY MOWERS

SERIES 18 - OPC

	<u>Part number</u>	<u>Model</u>	<u>Engine</u>
MASPORT	579971	600 SP AL Combo	B&S Series675
MASPORT	573935	600 SP AL H Combo	Honda Gxv 160

Month and Year of First Manufacture - Feb 2009
SERIAL NUMBER STARTING FROM - 7196694

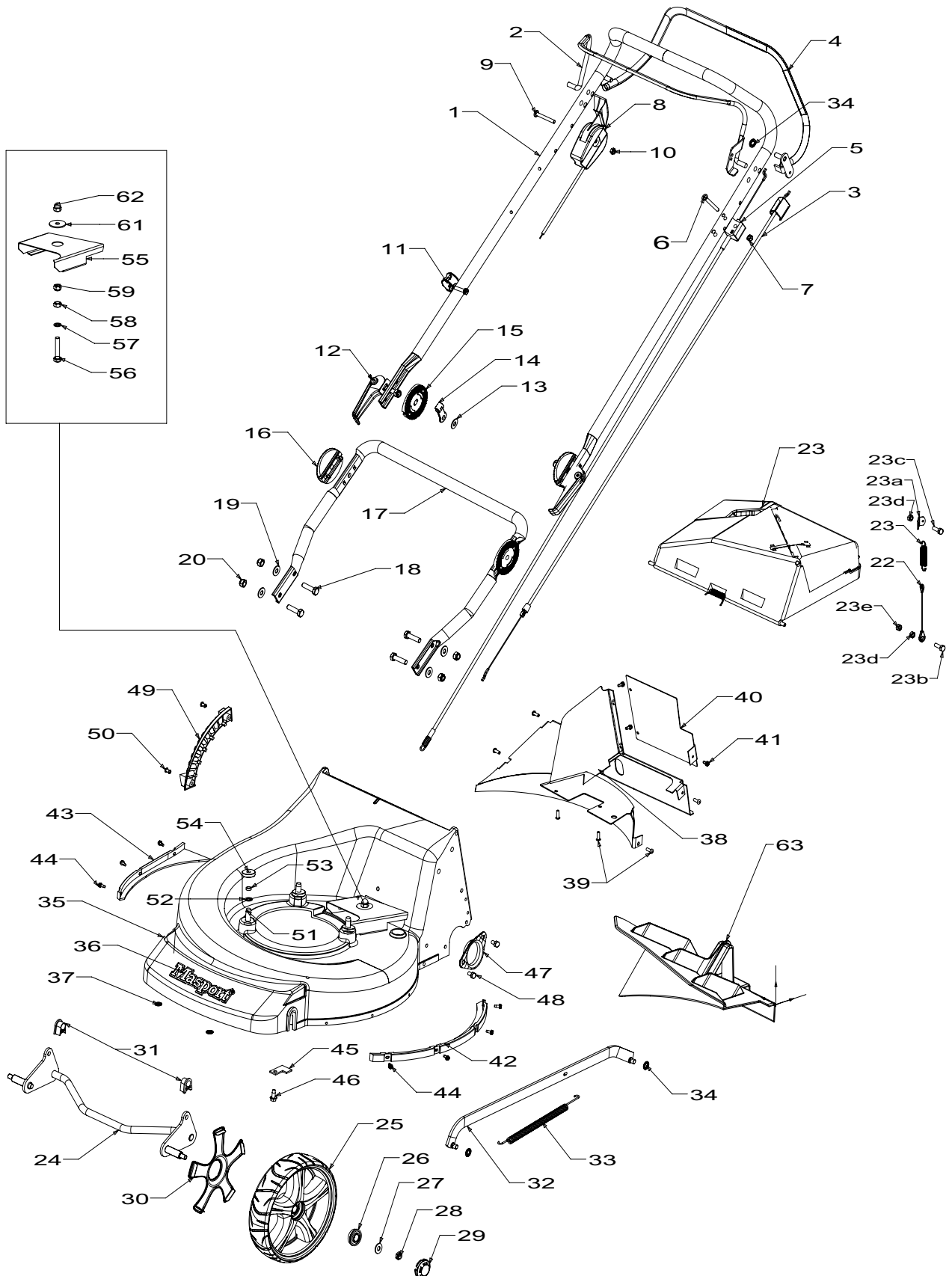




Powered by:
600AL SP Combo: B & S Series 675
600AL H SP Combo: Honda GXV 160

Masport

Issue B
July 2011 BH
REF # 779971S



When ordering PLEASE QUOTE PART NUMBER & Description, NOT Illustration No.
Determine right or left hand side from standing in operating position (standing at handle)



Powered by:
600AL SP Combo: B & S Series 675
600AL H SP Combo: Honda GXV 160

Masport

Issue B
July 2011 BH
REF # 779971S

Item No	Part No	Description	Qty	Item No	Part No	Description	Qty
1	781664	Handle&Sleeve-Upper,Adj SP OPC	1	32	981170	Rod Assy, Connecting SP	1
2	981740	Bail Arm Assy, OPC Flatnd	1	33	573844	Spring, Counter Balance SP	1
3	581656	Cable- Engine, OPC Push On	1	34	501365	Clip- Starlock, 5/16"	4
4	982161	Bail Arm Assy, SP	1			__==__	
5	582235	Cable- Clutch, Thumb Wheel	1	35	769117	Housing Assy-AliT18"COSP Ttnm1	
6	503604	Screw, Pan M6x45 Poz ZP	1			incl items 38-41, 45-46	
7	501764	Nut, M6 Nylocx 6 Thck	1	36	581240	Nameplate	1
8	583458	Control- Throttle, Assy Wescon	1	37	503150	Clip- Starlock, 5 Dia	2
9	503604	Screw, Pan M6x45 Poz ZP	1	38	573358	• Tunnel Assy, 18" SP/PUSH	1
10	501764	Nut, M6 Nyloc 6 Thck	1	39	503201	• Rivet- Pop 4x7.9	6
11	703856	Comfort Start Kit	1	40	573359	• Tunnel- GBox Cover 18" Ali	1
12	980456	Cam Lock Assy	2	41	503630	• Screw, S/T M4x10 Washer	3
13	501606	Washer, Flat 8x19x1.6	2	42	973839	Deflector- Air, LH Plastic	1
14	581527	Retainer- Clutch Cable	1	43	581525	Deflector- Air, RH Plastic	1
15	581660	Disc- Locking, Outer	2	44	503630	Screw, S/T 10x.4 Typ B	7
16	581659	Disc- Locking, Inner	2	45	980564	• Plate- Retainer, Front Axle 18"	2
		__==__		46	501599	• Screw, S/T 1/4x5/8 Hex	2
17	981712	Handle- Lower, "U" Adj 18"	1	47	581178	Retainer, Axle Rear	2
18	501597	Screw, Set M8x25 Hex	4	48	501959	Screw, Set M6x12 Hex	4
19	501606	Washer, Flat 8x19x1.6	4	49	580025	Quadrant, Height Selector Plastic	1
20	501793	Nut, M8 Nylocx 8 Thck	4	50	503660	Rivet- Pop 4.8x9	2
		__==__				B&S Engine Fastenings:	
21	767059	Flap Assy- Smart Chute 18"	1	51	580453	Screw,S/T 3/8x1-1/8 UNC TRIBLK	3
22	569731	Cable Smart Chute	1			Honda Engine Fastenings:	
23	580268	Spring Pedal	1	51	501345	Screw, Set NF 5/16x1.25 Hex HT	2
23a	569732	Bracket Smart Chute	1		501603	Screw, Set M8x50 Hex HT	1
23b	501600	Screw Set M6x20	1	52	503747	Washer, Spg 8	3
23c	501959	Screw, Set M6x12	1		501606	Washer, 8x19x1.6	3
23d	501682	Nut, M6	1	53	582172	Spacer- Engine	3
23e	501764	Nut,M6 Nylocx Thck	2	54	983448	Spacer- Base, Honda	3
		__==__					
24	583281	Axle Assy, Front 200mm Thrd	1	55	979080	Cover- Belt, 575 SP	1
25	579203	Wheel Assy- 200mm BB Mag Sil	2	56	501843	Screw, Set M8x40	1
		incl item 26		57	503747	Washer, Spring 8	1
26	551212	• Bearing- Wheel, Ball Type	4	58	501602	Nut, M8 Hex	1
27	501606	Washer, Flat 8x19x1.6	2	59	501793	Nut, M8 Hex Nyloc 8 Thck	1
28	503831	Nut, M8 Hex Nyloc 6 Thck	2	61	572199	Washer, Flat 8x32x2.0	1
29	579204	Hub Cap, Button Mag Silver	2	62	503526	Nut, M8 Hex Dome	1
30	579205	Cover- Inner, Wheel	2	63	573112	Insert- Mulching, 18"	1
31	580030	Bush- Pivot, Axle	2			NOT ILLUSTRATED	
					569324	Owners Manual	1

Bold Text = Assemblies
Bulleted Text = Items included in Assemblies

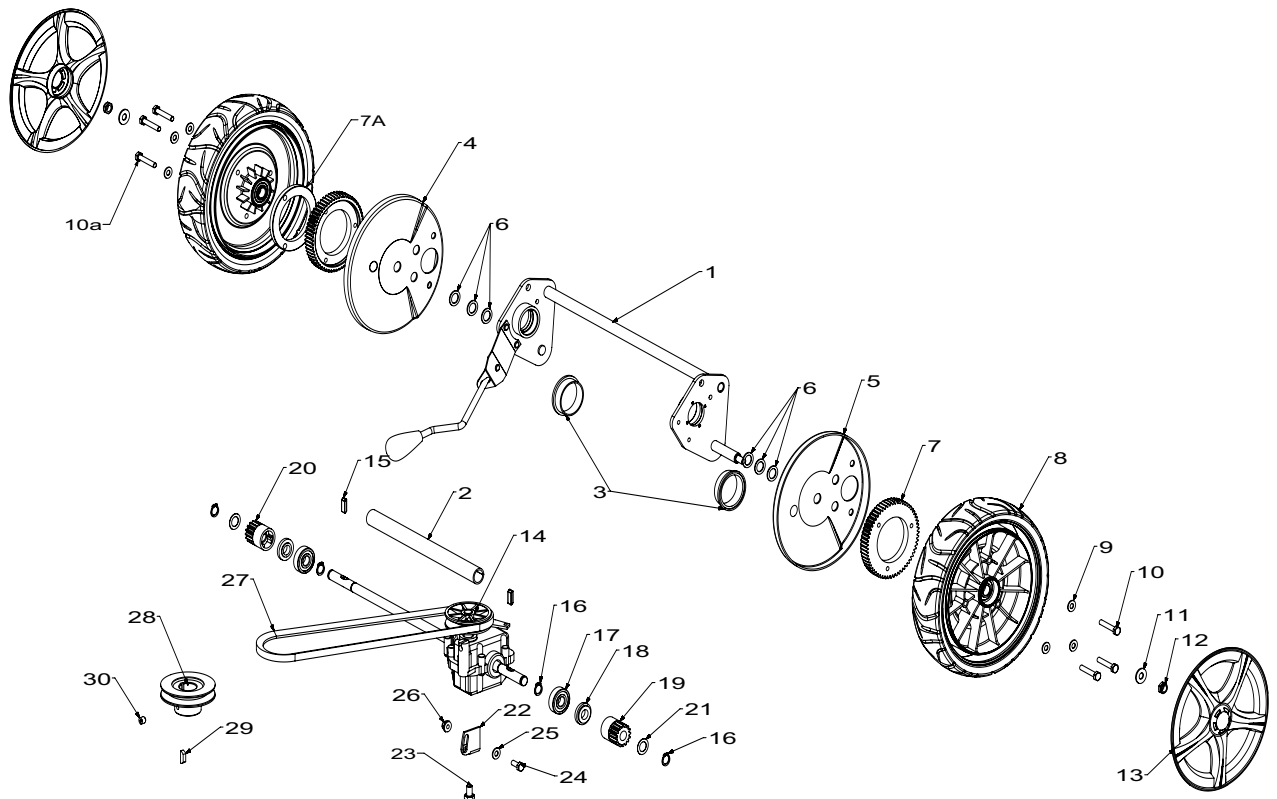
When ordering PLEASE QUOTE PART NUMBER & Description, NOT Illustration No.
Determine right or left hand side from standing in operating position (standing at handle)



Powered by:
 600AL SP Combo: B & S Series 675
 600AL H SP Combo: Honda GXV 160

Masport

Issue B
 July 2011 BH
 REF # 779971S



Item No	Part No	Description	Qty	Item No	Part No	Description	Qty
1	773416	Axle Assy, Rear Compl 18" SP	1	23	501863	Screw, Set M8x12	1
2	580614	Sleeve, Rear Axle SP	1	24	501702	Screw, Set M6x16	1
3	580091	Bush- Pivot, Rear Axle	2	25	501703	Washer, Flat 6x14x1.2	1
4	579426	Dust, Cover RH	1	26	501764	Nut, M6 Nyloc 6 Thck	1
5	579427	Dust, Cover LH	1	27	557257	Belt- V PIX 'X' TRA 800	1
6	503301	Washer, Flt 1/2x3/4x18G	4	B&S Engine:			
7	569180	Gear, Driving- Narrow	2	28	582373	Pulley- Engine, 25Bx34.5H SP	1
7A	569479	Spacer Gear Driving	1	29	503363	Key- W/Ruff 5/8x3/16x1/4	1
8	579070	Wheel Assy- 220mm BB MSV SP	2	30	503386	Screw, Grub M8x8	1
9	501703	Washer, Flat 6x14x1.2	6	Honda Engine:			
10	501815	Screw, Set M6x35	3	28	579045	Pulley- Engine, 1"x5/32"	1
10A	503794	Screw, Set M6x40HT4.6HEX	3	29	500636	Key- W/Ruff 5/8x5/32x1/4	1
11	501606	Washer, Flat 8x19x1.6	2	30	503386	Screw, Grub M8x8	1
12	503831	Nut, M8 Nyloc 6 Thck	2				
13	579207	Hub Cap, 220mm MSV SP Silver	2				
14	582170	Gear Box, Single Speed	1				
15	581092	Pawl, Pinion 950 SP	2				
16	503759	Circlip, 12 EXT DIN 471	4				
17	501213	Bearing, 12x32x10 6201 2RS	2				
18	581093	Cap, Pinion 950 SP Plastic	2				
19	569178	Pinion, LH 12 Teeth	1				
20	569179	Pinion, RH 12 Teeth	1				
21	503102	Washer, Flat 12x20x0.4	2				
22	582169	Mount, Gearbox	1				

When ordering PLEASE QUOTE PART NUMBER & Description, NOT Illustration No.
 Determine right or left hand side from standing in operating position (standing at handle)

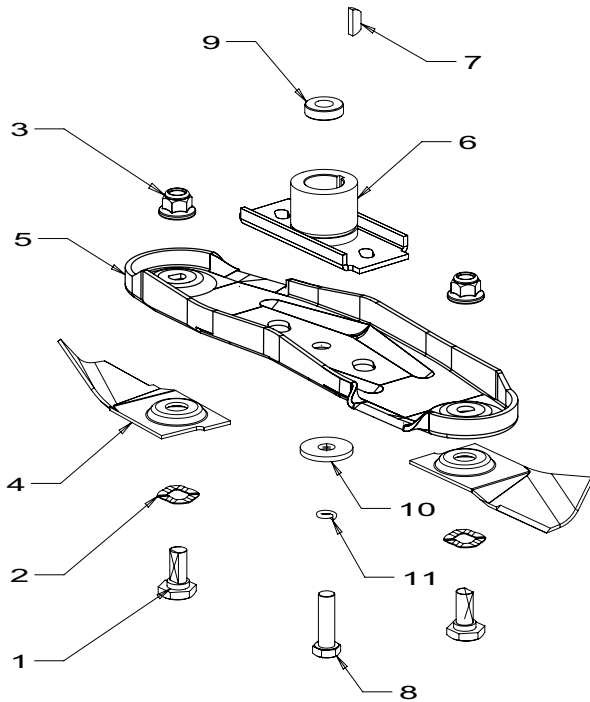


Powered by:
600AL SP Combo: B & S Series 675
600AL H SP Combo: Honda GXV 160

Masport

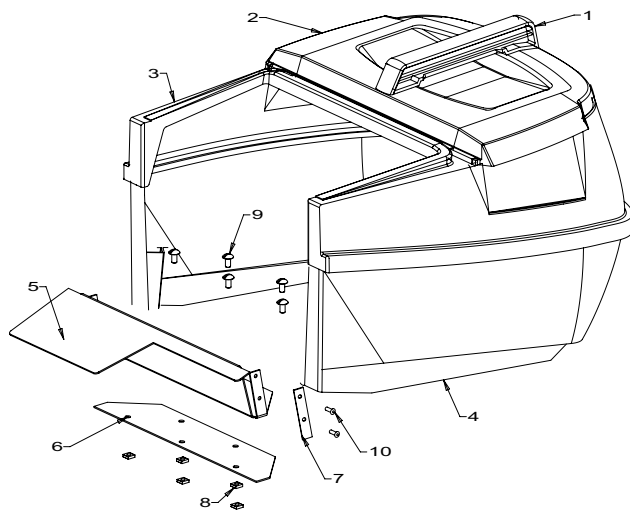
Issue B
July 2011 BH
REF # 779971S

460mm Blade Assembly



Item	Part No	Description	Qty
1	581707	Bolt- Pivot M10x22 Blade	2
2	580693	Washer, Wavy 13.4 x 24.2	2
3	503672	Nut, Flange Nyloc M10	2
4	583049	Blade, Quick Cut - 460mm EU	2
5	580653	Carrier, Blade Quick Cut	2
B&S Engine:			
6	531640	Driver Assy-Blade - 25mm	1
7	503363	Key, Woodruff - 5/8" x 3/16" x 1/4"	1
8	581610	Screw,Set NF 3/8" x 1.25 NYG8	1
Honda Engine:			
6	514173	Driver Assy-Blade - 7/8" Shaft	1
7	579060	Key, Square - 1/4" x 1/4" x 2 1/4"	1
8	581610	Screw,Set NF 3/8" x 1.25 NYG8	1
9	583542	Spacer- Driver, Honda	1
10	503667	Washer, Flat 9.75 x 30 x 3	1
11	500204	Washer, Spring 3/8"	1

Catcher Assembly



Item	Part No	Description	Qty
1	579119	Catcher-Handle Plasic	1
2	579120	Catcher- Lid 18"	1
3	579117	Catcher- Top 18	1
4	982364	Catcher, Bottom Maxicut	1
5	573133	Catcher- Lip, 469 ST SP	1
6	582222	Backing Plate-Lip, Catcher	1
7	582223	Plate- Rivet, Catcher Bckng	1
8	502098	Nut, M6 Squ Pressed	5
9	503591	Screw, Pan M6x12	5
10	501303	Rivet, Pop 4.0x7.9	4